

✓ SMD5050 60LEDS/M



Basic Parameters	
Size	5000×10×1.5mm
Cutting Unit	6LEDs/100mm
Input Voltage	24VDC
Input Current	0.6A/m
Typ-power	14.4W/m
Max.Power	15.84W
Bend Diameter	60mm
Copper foil	2oz
IC Type	SK6812

✓ PHOTOMETRIC OF 1M STRIP

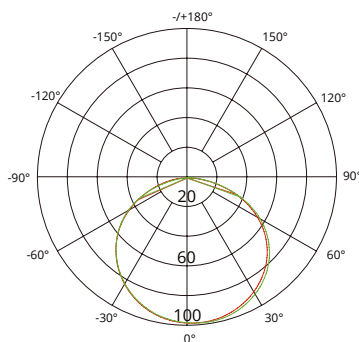
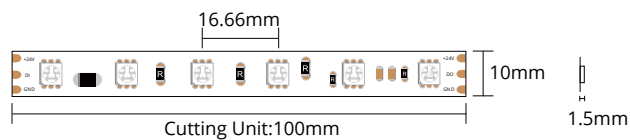


Photo-electric Parameters		
Color	CCT/wavelength	LM/m
R	625nm	/
G	525nm	/
B	470nm	/
RGB	/	/

✓ DIMENSIONAL DRAWING



✓ SMD5050, SINGLE LED ADDRESSABLE 60LEDS/M



Basic Parameters	
Size	5000×8×1.5mm
Cutting Unit	1LED/16.6mm
Input Voltage	24VDC
Input Current	0.541A/m
Typ-power	15W/m
Max.Power	14.3W
Bend Diameter	60mm
Copper foil	2oz
IC Type	SK6851

✓ PHOTOMETRIC OF 1M STRIP

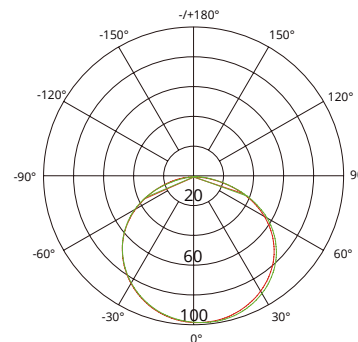
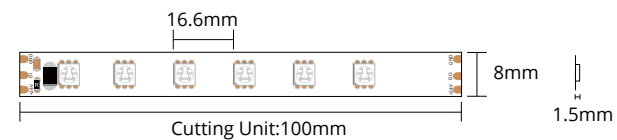


Photo-electric Parameters			
Color	CCT/Wavelength	LM/m	LM/W
R	625nm	/	/
G	525nm	/	/
B	470nm	/	/
RGB	/	/	/

✓ DIMENSIONAL DRAWING



✓ SMD5050, SINGLE LED ADDRESSABLE 70LEDS/M



Basic Parameters	
Size	5000×8×1.5mm
Cutting Unit	7LEDs/100mm
Input Voltage	24VDC
Input Current	0.625A/m
Typ-power	15W/m
Max.Power	16.5W
Bend Diameter	60mm
Copper foil	2oz
IC Type	WS2811

✓ PHOTOMETRIC OF 1M STRIP

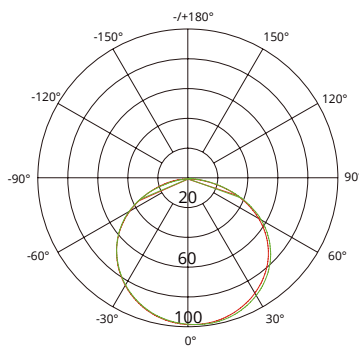
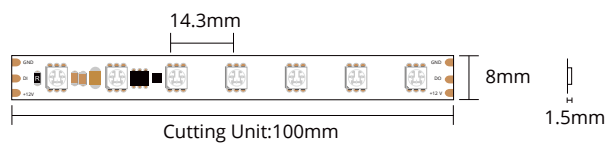


Photo-electric Parameters			
Color	CCT/Wavelength	LM/m	LM/W
R	625nm	/	/
G	525nm	/	/
B	470nm	/	/
RGB	/	/	/

✓ DIMENSIONAL DRAWING



✓ SMD5050 4 IN 1 60LEDS/M



Basic Parameters	
Size	5000×10×1.5mm
Cutting Unit	6LEDs/100mm
Input Voltage	24VDC
Input Current	1.08A/m
Typ-power	26W/m
Max.Power	28.6W
Bend Diameter	>60mm
Copper foil	2oz
IC Type	UCS8904B

✓ PHOTOMETRIC OF 1M STRIP

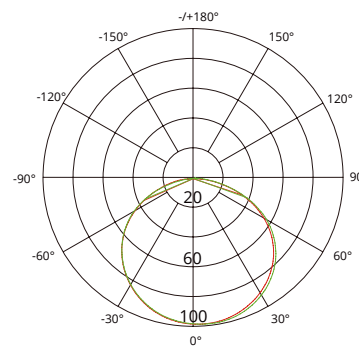


Photo-electric Parameters		
Color	CCT/wavelength	LM/m
R	625nm	/
G	525nm	/
B	470nm	/
W	2700K	/
RGBW	RGB+2700K	/

✓ DIMENSIONAL DRAWING

