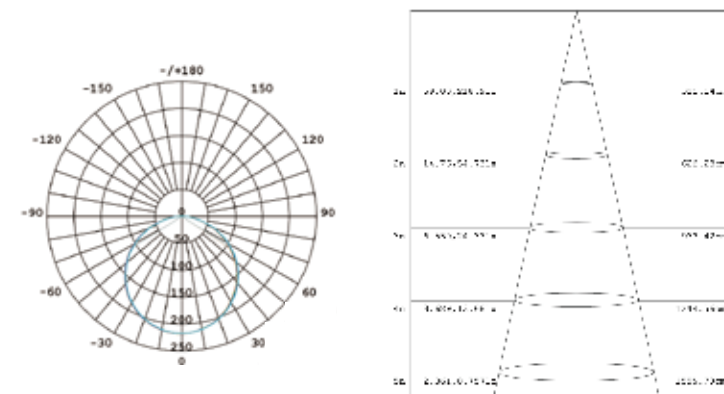


LD-FR-SJS-DC24V-XXXX-120D-10\*10MM NEON FLEX(HOLLOW EXTRUSTION)

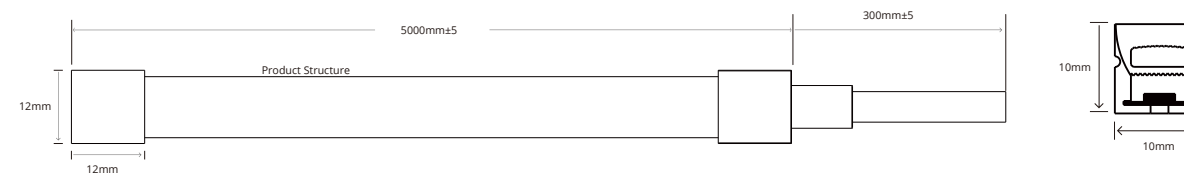


Basic Parameters	
LED TYPE	2835
LEDs/M	120
CRI	>90
LM/W	49LM/W(4000K)
VOLTAGE	DC 24V
CCT	2700K/3000K/4000K/5000K/6500K
CUTTING	8.3MM
POWER/M	8W/12W
IP RATE	IP67

PHOTOMETRIC OF 1M STRIP



DIMENSIONAL DRAWING

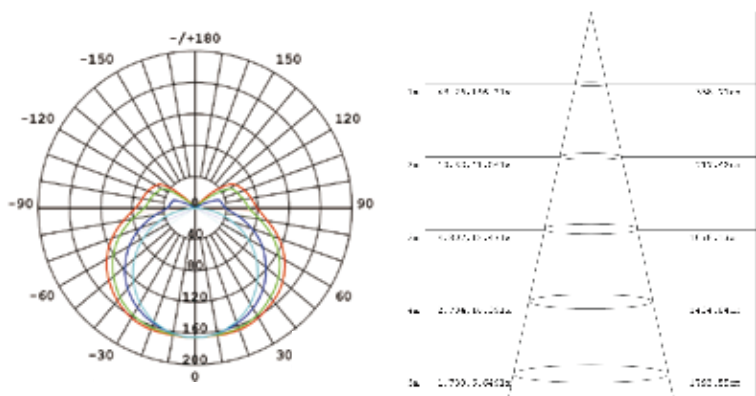


LD-FR-SJS-DC24V-XXXX-144D-10\*10MM NEON FLEX(HOLLOW EXTRUSTION)

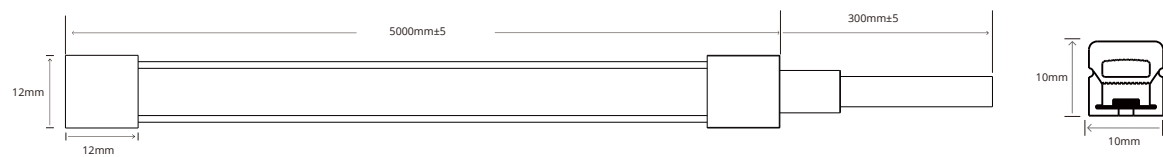


Basic Parameters	
LED TYPE	2835
LEDs/M	144
CRI	>90
LM/W	65LM/W(4000K)
VOLTAGE	DC 24V
CCT	2700K/3000K/4000K/5000K/6500K
CUTTING	7MM
POWER/M	8W/12W
IP RATE	IP67

PHOTOMETRIC OF 1M STRIP



DIMENSIONAL DRAWING

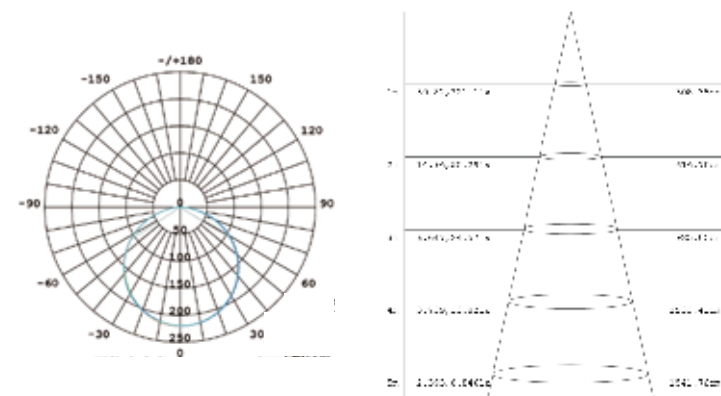


LD-FR-SJS-DC24V-XXXX-120D-12\*12MM NEON FLEX(HOLLOW EXTRUSTION)

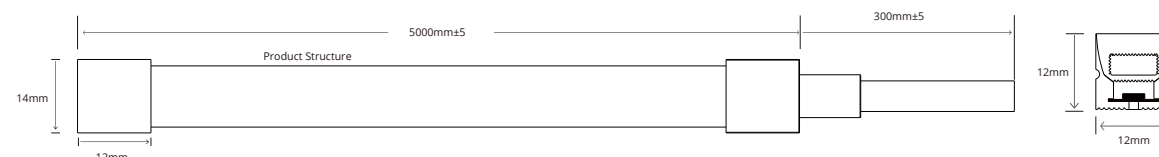


Basic Parameters	
LED TYPE	2835
LEDs/M	120
CRI	>90
LM/W	47LM/W(4000K)
VOLTAGE	DC 24V
CCT	2700K/3000K/4000K/5000K/6500K
CUTTING	8.3MM
POWER/M	8W/12W
IP RATE	IP67

PHOTOMETRIC OF 1M STRIP



DIMENSIONAL DRAWING

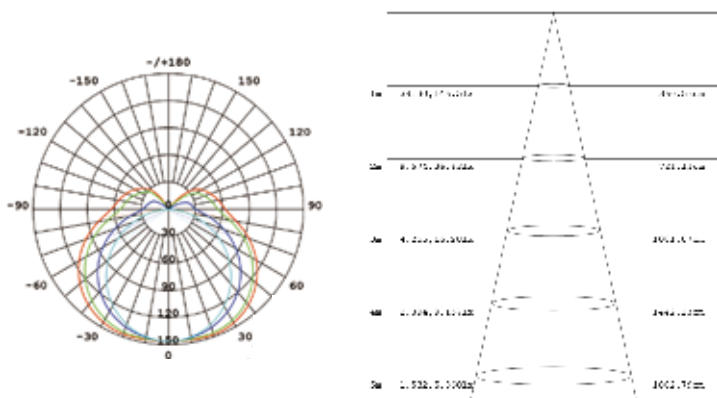


LD-FR-SJS-DC24V-XXXX-144D-12\*12MM NEON FLEX(HOLLOW EXTRUSTION)

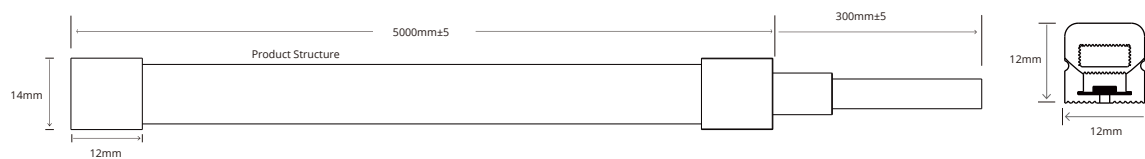


Basic Parameters	
LED TYPE	2835
LEDs/M	144
CRI	>90
LM/W	58LM/W(4000K)
VOLTAGE	DC 24V
CCT	2700K/3000K/4000K/5000K/6500K
CUTTING	7MM
POWER/M	8W/12W
IP RATE	IP67

PHOTOMETRIC OF 1M STRIP



DIMENSIONAL DRAWING

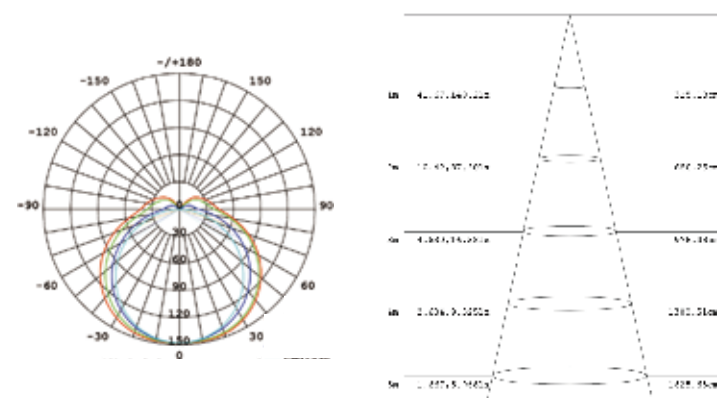


LD-FR-SJS-DC24V-XXXX-144D-12\*12MM NEON FLEX(SOLID EXTRUSTION)

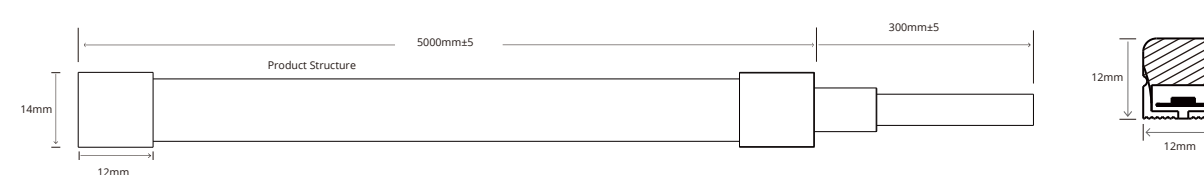


Basic Parameters	
LED TYPE	2835
LEDs/M	144
CRI	>90
LM/W	47LM/W(4000K)
VOLTAGE	DC 24V
CCT	3000K/4000K/5000K/6500K
CUTTING	7MM
POWER/M	8W/12W
IP RATE	IP68

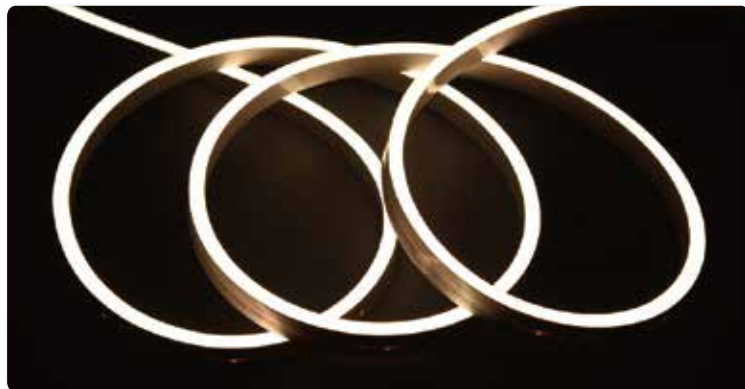
PHOTOMETRIC OF 1M STRIP



DIMENSIONAL DRAWING

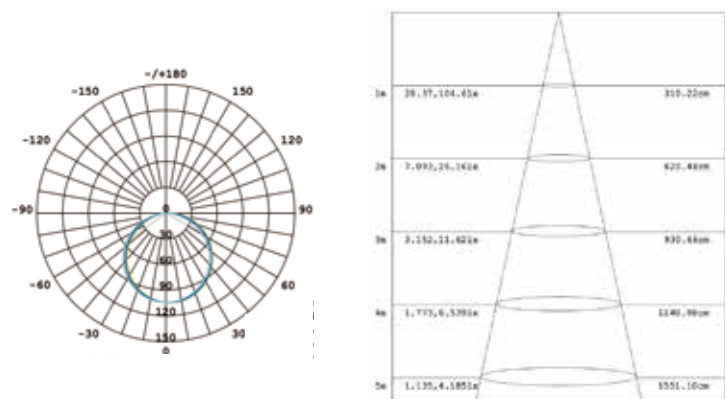


LD-FR-SJS-DC24V-XXXX-120D-6\*12MM NEON FLEX(HOLLOW EXTRUSTION)

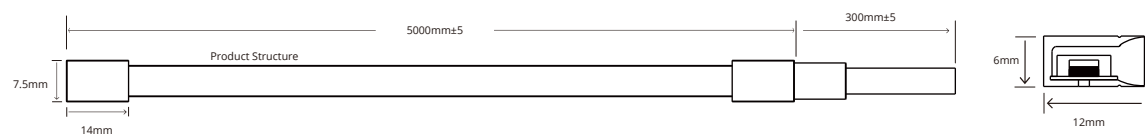


Basic Parameters	
LED TYPE	2835
LEDs/M	120
CRI	>80
LM/W	28LM/W(4000K)
VOLTAGE	DC 24V
CCT	2700K/3000K/4000K/5000K/6500K
CUTTING	50MM
POWER/M	8W/12W
IP RATE	IP67

PHOTOMETRIC OF 1M STRIP



DIMENSIONAL DRAWING

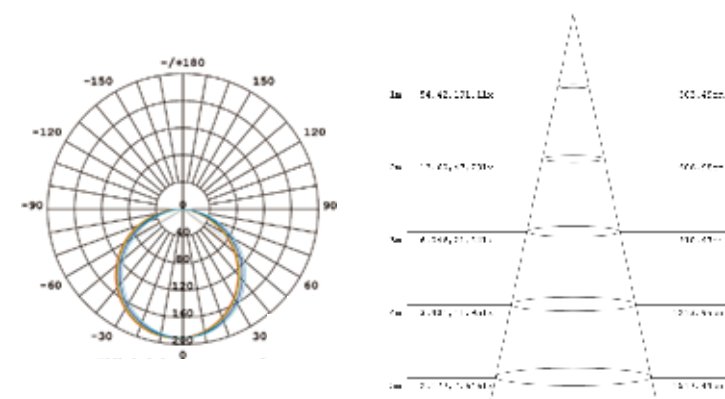


LD-FR-SJS-DC24V-XXXX-168D-16\*16MM NEON FLEX(SOLID EXTRUSTION)

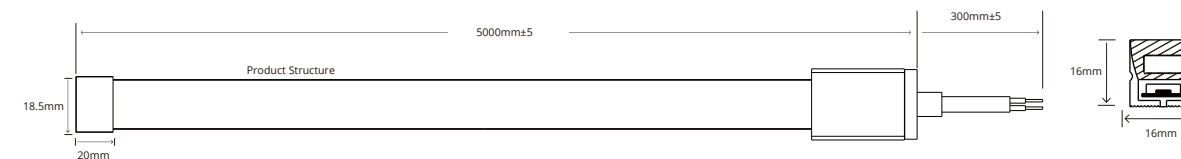


Basic Parameters	
LED TYPE	2835
LEDs/M	168
CRI	>90
LM/W	36LM/w(4000K)
VOLTAGE	DC 24V
CCT	3000K/4000K/5000K/6500K
CUTTING	6MM
POWER/M	15W
IP RATE	IP68

PHOTOMETRIC OF 1M STRIP



DIMENSIONAL DRAWING

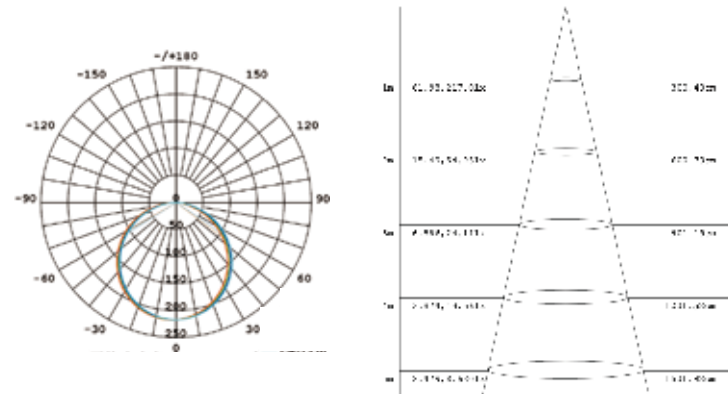


LD-FR-SJS-DC24V-XXXX-168D-16\*16MM NEON FLEX(HOLLOW EXTRUSTION)

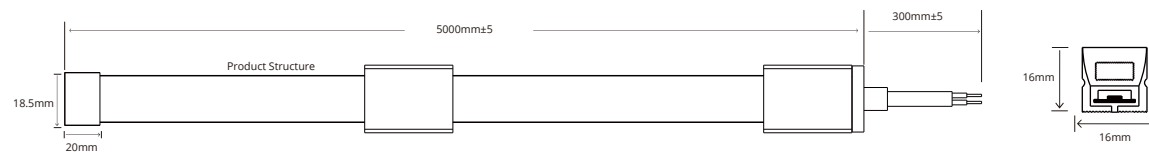


Basic Parameters	
LED TYPE	2835
LEDs/M	168
CRI	>90
LM/W	38LM/W(4000K)
VOLTAGE	DC 24V
CCT	2700K/3000K/4000K/5000K/6500K
CUTTING	6MM
POWER/M	15W
IP RATE	IP67

PHOTOMETRIC OF 1M STRIP



DIMENSIONAL DRAWING

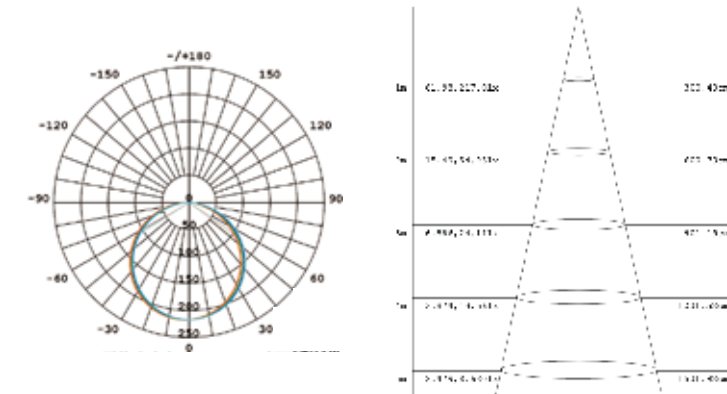


LD-FR-SJS-DC24V-XXXX-120D-16\*16MM NEON FLEX(HOLLOW EXTRUSTION)

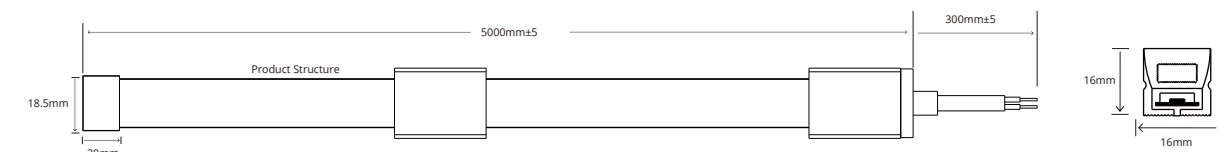


Basic Parameters	
LED TYPE	2835
LEDs/M	120
CRI	>80
LM/W	46LM/W(4000K)
VOLTAGE	DC 24V
CCT	2700K/3000K/4000K/5000K/6500K
CUTTING	50MM
POWER/M	12W
IP RATE	IP67

PHOTOMETRIC OF 1M STRIP



DIMENSIONAL DRAWING

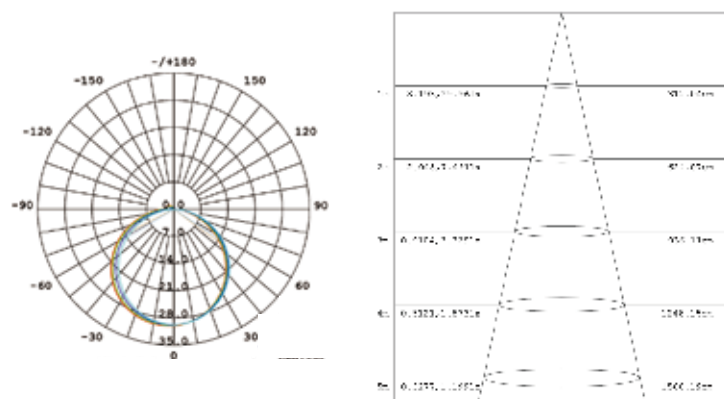


LD-FR-SJS-DC24V-XXXX-RGB-60D-16\*16MM NEON FLEX (HOLLOW EXTRUSION)

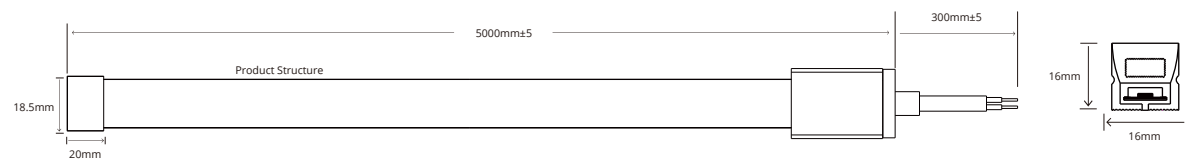


Basic Parameters	
LED TYPE	5050RGB
LEDs/M	60
CRI	/
LM/W	/
VOLTAGE	DC 24V
CCT	RGB Multi-colour
CUTTING	100MM
POWER/M	8W/12W
IP RATE	IP67

PHOTOMETRIC OF 1M STRIP



DIMENSIONAL DRAWING

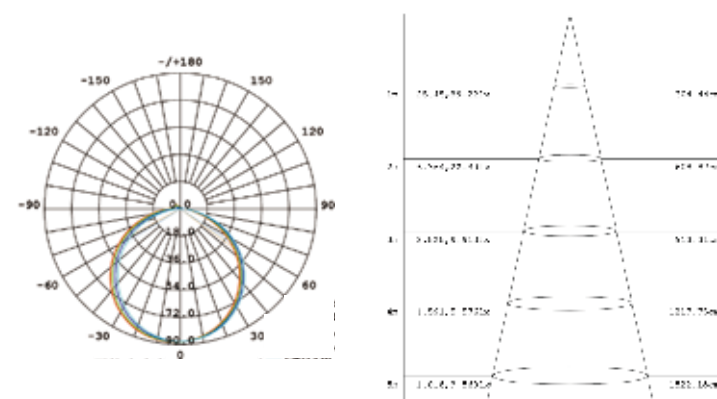


LD-FR-SJS-DC24V-XXXX-120D-12\*20MM NEON FLEX(SOLID EXTRUSION)

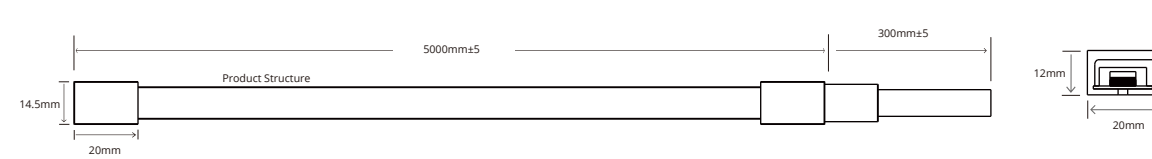


Basic Parameters	
LED TYPE	2835
LEDs/M	120
CRI	>80
LM/W	28LM/W(4000K)
VOLTAGE	DC 24V
CCT	3000K/4000K/5000K
CUTTING	50MM
POWER/M	8W/12W
IP RATE	IP68

PHOTOMETRIC OF 1M STRIP



DIMENSIONAL DRAWING

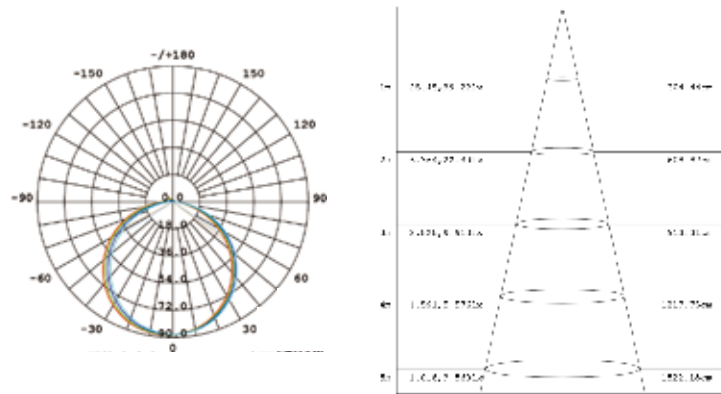


LD-FR-SJS-DC24V-XXXX-120D-12\*20MM NEON FLEX(HOLLOW EXTRUSTION)

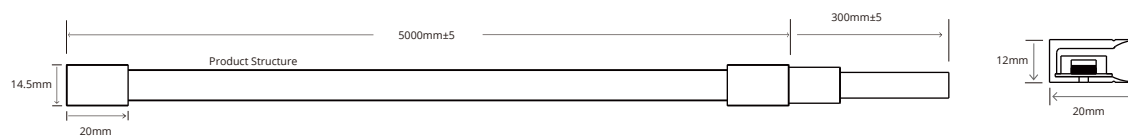


Basic Parameters	
LED TYPE	2835
LEDs/M	120
CRI	>80
LM/W	28LM/W(4000K)
VOLTAGE	DC 24V
CCT	2700K/3000K/4000K/5000K
CUTTING	50MM
POWER/M	8W/12W
IP RATE	IP67

PHOTOMETRIC OF 1M STRIP



DIMENSIONAL DRAWING

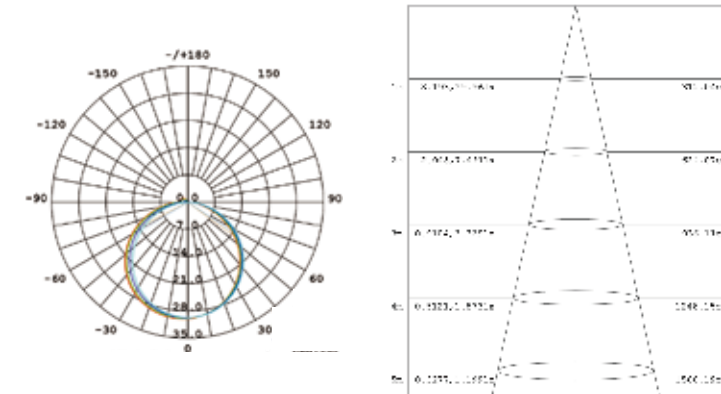


LD-FR-SJS-DC24V-XXXX-RGB-60D-12\*20MM NEON FLEX(HOLLOW EXTRUSTION)

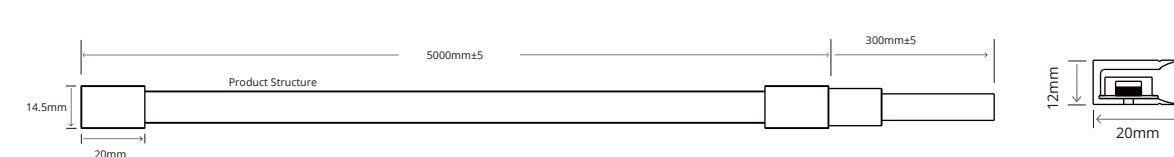


Basic Parameters	
LED TYPE	5050RGB
LEDs/M	60
CRI	/
LM/W	/
VOLTAGE	DC 24V
CCT	RGB Multi-colour
CUTTING	100MM
POWER/M	8W/12W
IP RATE	IP67

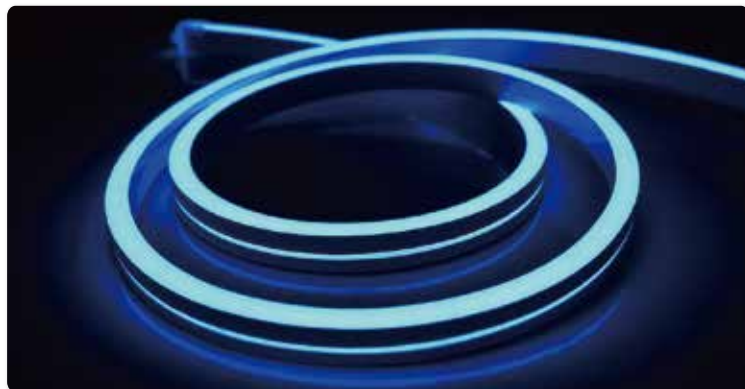
PHOTOMETRIC OF 1M STRIP



DIMENSIONAL DRAWING

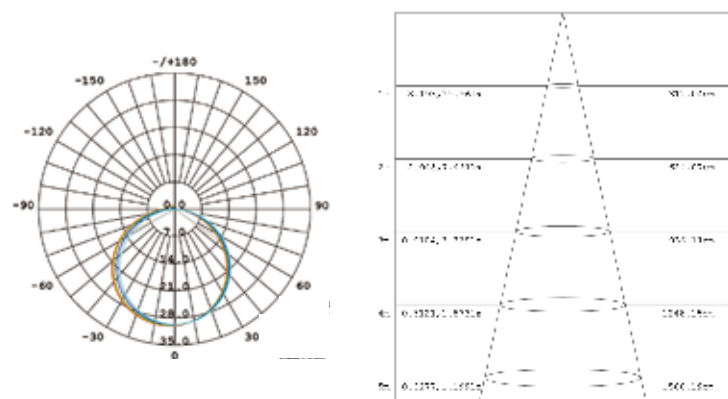


LD-FR-SJS-DC24V-XXXX-RGB-60D-12\*20MM NEON FLEX(HOLLOW EXTRUSTION)

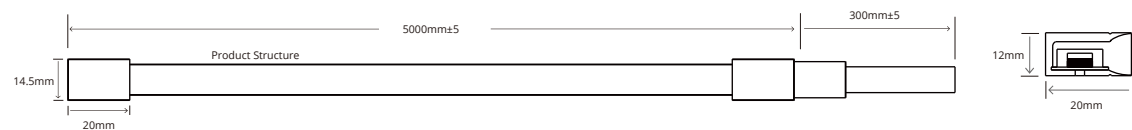


Basic Parameters	
LED TYPE	5050RGB
LEDs/M	60
CRI	/
LM/W	/
VOLTAGE	DC 24V
CCT	RGB Multi-colour(DMX512)
CUTTING	100MM
POWER/M	13W
IP RATE	IP67

PHOTOMETRIC OF 1M STRIP



DIMENSIONAL DRAWING

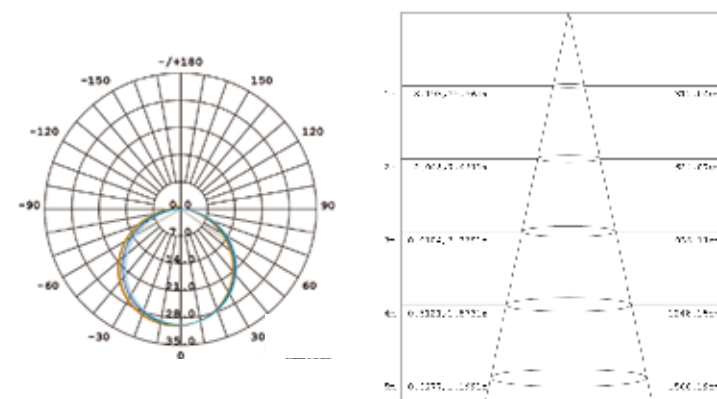


LD-FR-SJS-DC24V-XXXX-RGBW-60D-12\*20MM NEON FLEX(HOLLOW EXTRUSTION)

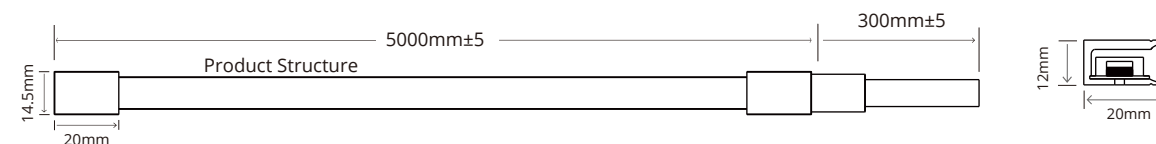


Basic Parameters	
LED TYPE	5050RGBW
LEDs/M	60
CRI	>80
LM/W	/
VOLTAGE	DC 24V
CCT	RGBW Multi-colour(DMX512)
CUTTING	100MM
POWER/M	16W
IP RATE	IP67

PHOTOMETRIC OF 1M STRIP

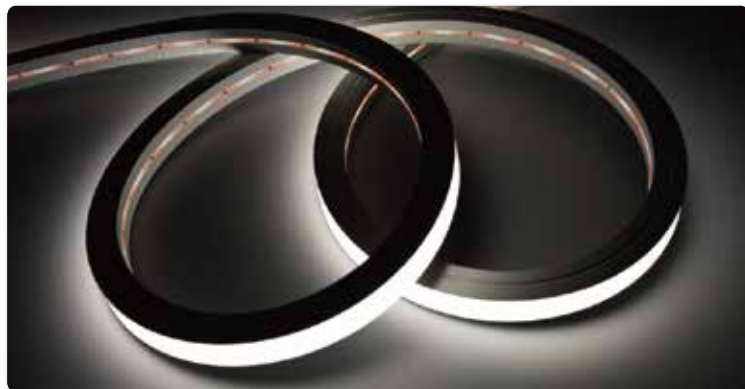


DIMENSIONAL DRAWING



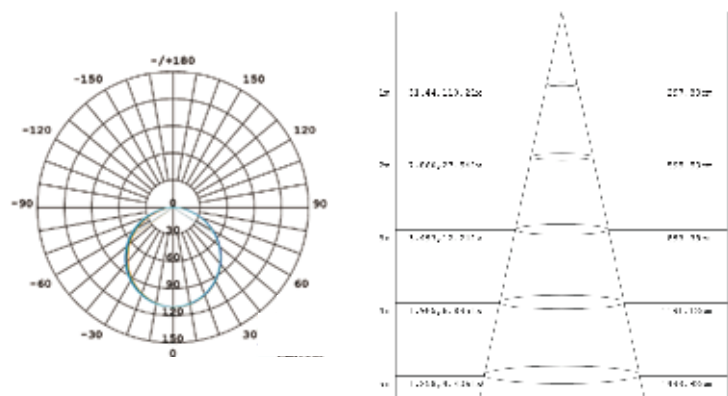


LD-FR-SJS-DC24V-XXXX-240D-20\*14MM NEON FLEX(HOLLOW EXTRUSTION)

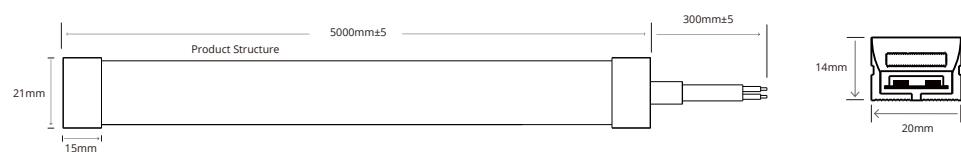


Basic Parameters	
LED TYPE	2835
LEDs/M	240
CRI	>80
LM/W	45LM/W(4500K)
VOLTAGE	DC 24V
CCT	2700K/3000K/4000K/5000K/6500K
CUTTING	50MM
POWER/M	17W
IP RATE	IP67

PHOTOMETRIC OF 1M STRIP



DIMENSIONAL DRAWING

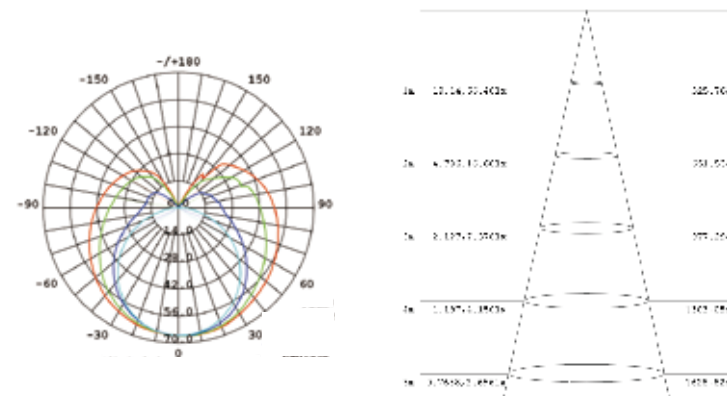


LD-FR-SJS-DC24V-XXXX-120D-14\*22MM NEON FLEX(SOLID EXTRUSTION)

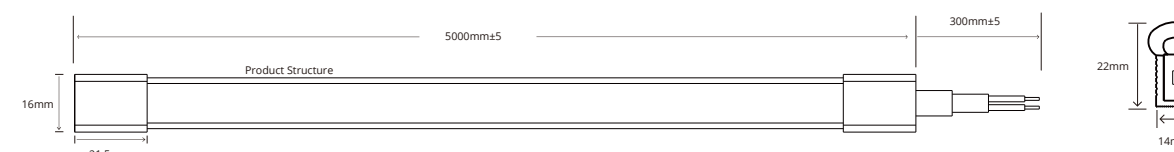


Basic Parameters	
LED TYPE	2835
LEDs/M	120
CRI	>80
LM/W	35LM/W(4000K)
VOLTAGE	DC 24V
CCT	2700K/3000K/4000K/5000K
CUTTING	8.3MM
POWER/M	8W/12W
IP RATE	IP68

PHOTOMETRIC OF 1M STRIP



DIMENSIONAL DRAWING

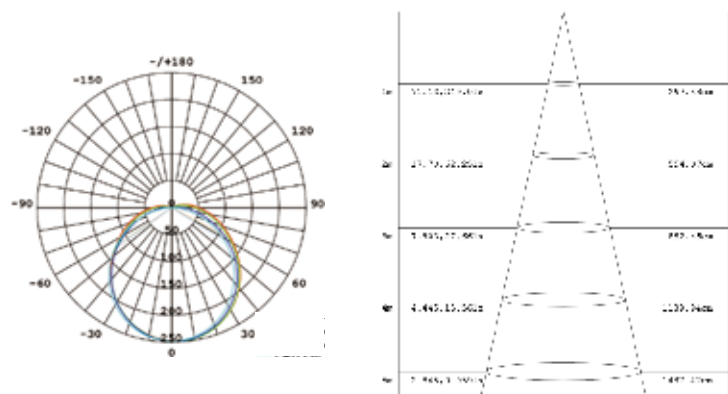


LD-FR-SJS-DC24V-XXX-480D-10\*5MM NEON FLEX(HOLLOW EXTRUSTION)

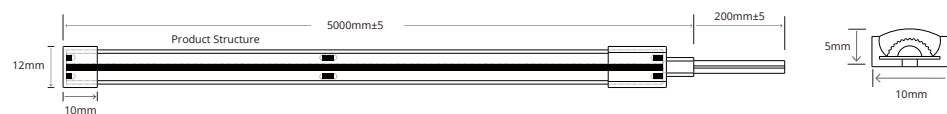


Basic Parameters	
LED TYPE	COB
LEDs/M	480
CRI	>90
LM/W	65LM/W(4000K)
VOLTAGE	DC24V
CCT	2700K/3000K/4000K
CUTTING	50MM
POWER/M	10W
IP RATE	IP65

PHOTOMETRIC OF 1M STRIP



DIMENSIONAL DRAWING

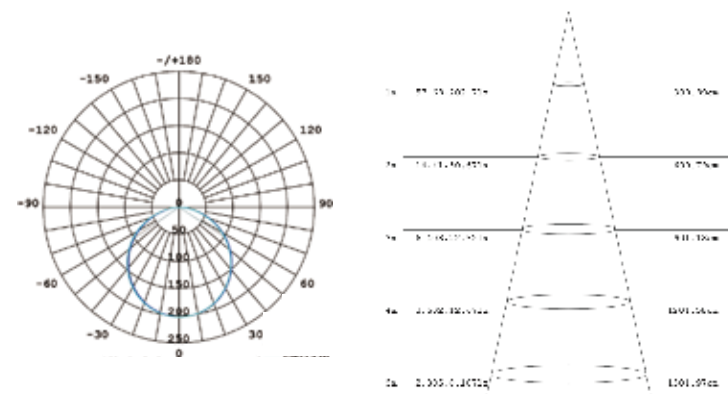


LD-FR-SJS-DC24V-XXX-144D-8\*9MM NEON FLEX(HOLLOW EXTRUSTION)

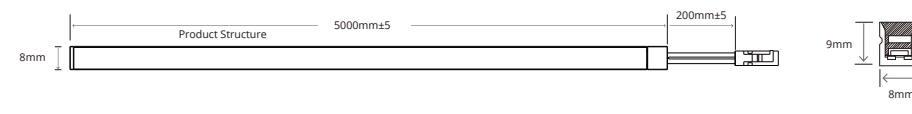


Basic Parameters	
LED TYPE	2835
LEDs/M	144
CRI	>80
LM/W	70LM/W(4000K)
VOLTAGE	DC24V
CCT	3000K/3500K/4000K/4500K
CUTTING	7MM
POWER/M	7W/5W
IP RATE	IP20

PHOTOMETRIC OF 1M STRIP



DIMENSIONAL DRAWING

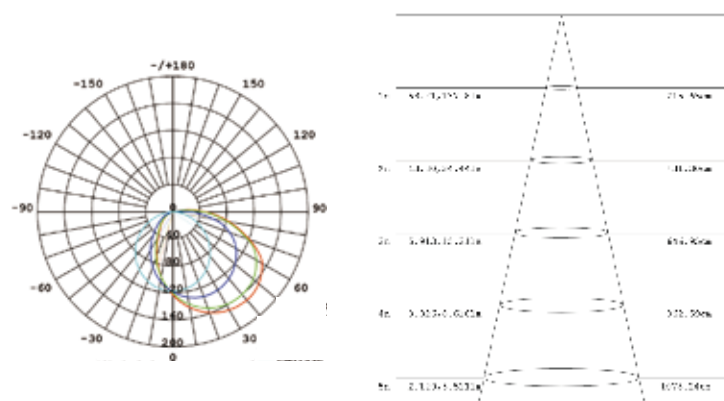


LD-FR-SJS-DC24V-XXX-144D-8\*9MM 45°NEON FLEX(HOLLOW EXTRUSION)

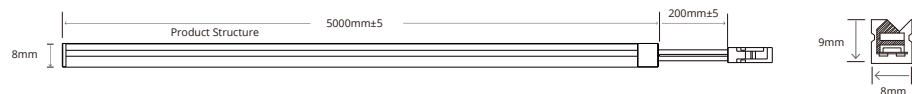


Basic Parameters	
LED TYPE	2835
LEDs/M	144
CRI	>80
LM/W	50LM/W(4000K)
VOLTAGE	DC24V
CCT	3000K/3500K/4000K/4500K
CUTTING	7MM
POWER/M	7W/5W
IP RATE	IP20

PHOTOMETRIC OF 1M STRIP



DIMENSIONAL DRAWING

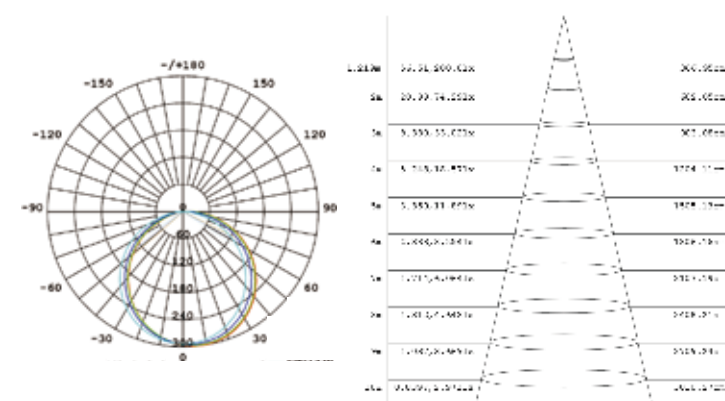


Back-lit Silicone Strip Light (Surface-mounted)



Basic Parameters	
LED TYPE	2835
LEDs/M	144
CRI	>80
LM/W	70LM/W(4000K)
VOLTAGE	DC12V/24V
CCT	3000K/4000K/5000K
CUTTING	7MM
POWER/M	12W
IP RATE	IP20

PHOTOMETRIC OF 1M STRIP



DIMENSIONAL DRAWING

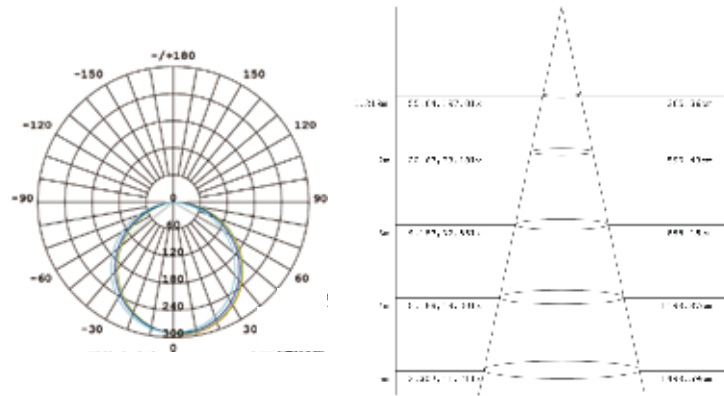


Back-lit Silicone Strip Light with Edge (Built-in)

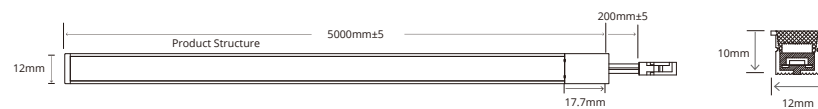


Basic Parameters	
LED TYPE	2835
LEDs/M	144
CRI	>80
LM/W	70LM/W(4000K)
VOLTAGE	DC12V/24V
CCT	3000K/4000K/5000K
CUTTING	7MM
POWER/M	12W
IP RATE	IP20

PHOTOMETRIC OF 1M STRIP



DIMENSIONAL DRAWING

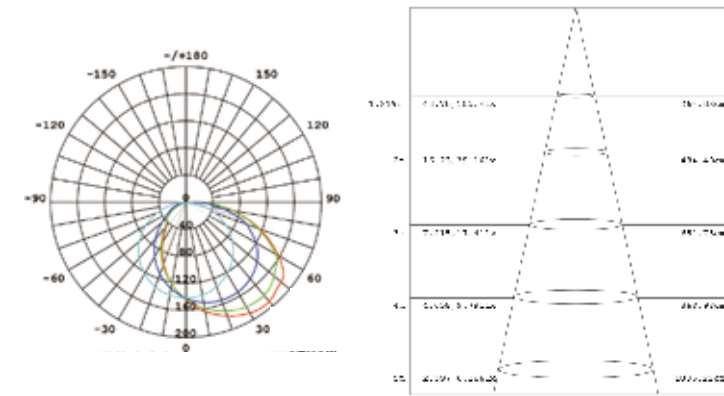


45°Spread Silicone Strip Light (Surface-mounted)

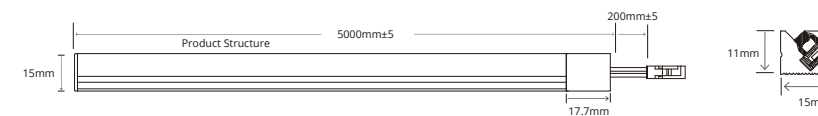


Basic Parameters	
LED TYPE	2835
LEDs/M	144
CRI	>80
LM/W	43LM/W(4000K)
VOLTAGE	DC12V/24V
CCT	3000K/4000K/5000K
CUTTING	7MM
POWER/M	12W
IP RATE	IP20

PHOTOMETRIC OF 1M STRIP



DIMENSIONAL DRAWING

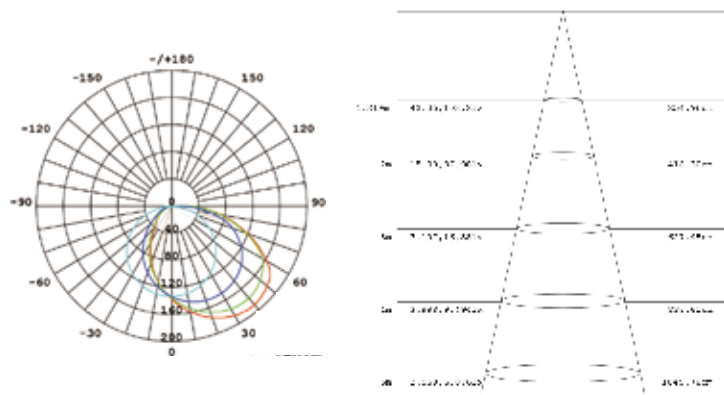


45°Spread Silicone Strip Light with Edge (Built-in)

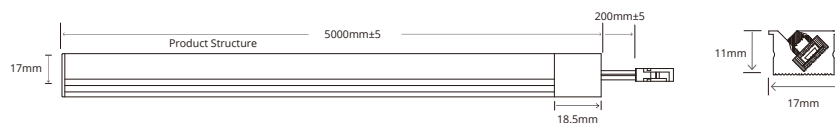


Basic Parameters	
LED TYPE	2835
LEDs/M	144
CRI	>80
LM/W	40LM/W(4000K)
VOLTAGE	DC12V/24V
CCT	3000K/3500K/4000K/4500K
CUTTING	7MM
POWER/M	12W
IP RATE	IP20

PHOTOMETRIC OF 1M STRIP



DIMENSIONAL DRAWING

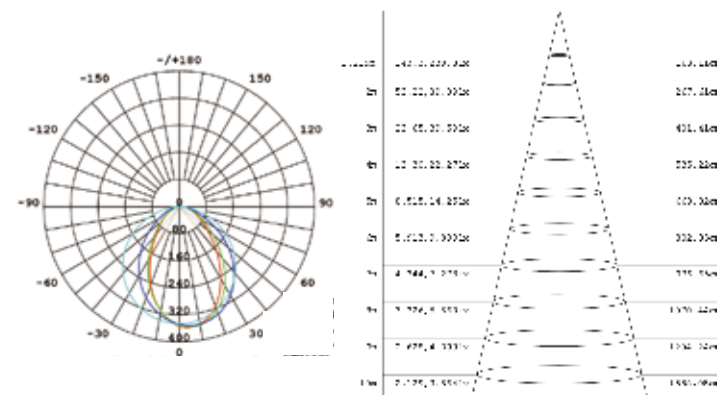


Glass Clamping Silicone Strip Light (Back-lit)

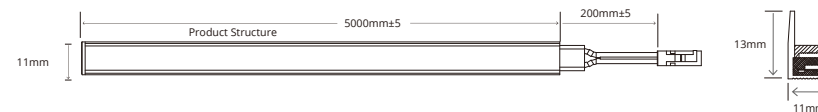


Basic Parameters	
LED TYPE	2835
LEDs/M	144
CRI	>80
LM/W	60LM/W(4000K)
VOLTAGE	DC12V/24V
CCT	33000K/4000K/5000K
CUTTING	7MM
POWER/M	12W
IP RATE	IP20

PHOTOMETRIC OF 1M STRIP



DIMENSIONAL DRAWING



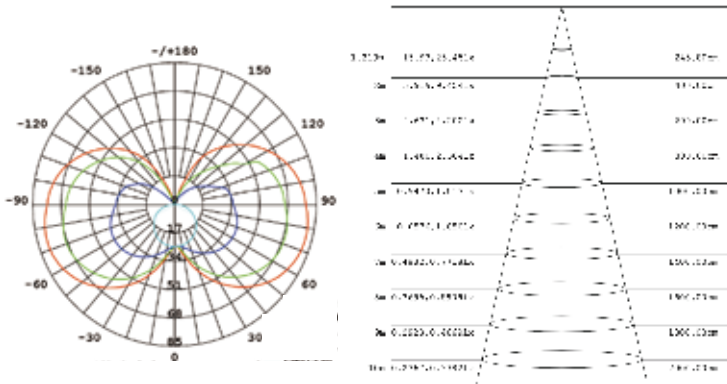
Board Clamping Silicone Strip Light (Edge-lit)



Basic Parameters

LED TYPE	2835
LEDs/M	144
CRI	>80
LM/W	43LM/W(4000K)
VOLTAGE	DC12V/24V
CCT	3000K/4000K/5000K
CUTTING	7MM
POWER/M	12W
IP RATE	IP20

PHOTOMETRIC OF 1M STRIP



DIMENSIONAL DRAWING

